

Oceana Suite

Shutter Motion

The Art Of Shutters

Oceana is the frame of choice as a high integrity interior shutter frame. This precision designed suite is replicated exactly from the classic contours of the traditional early American Shutter.

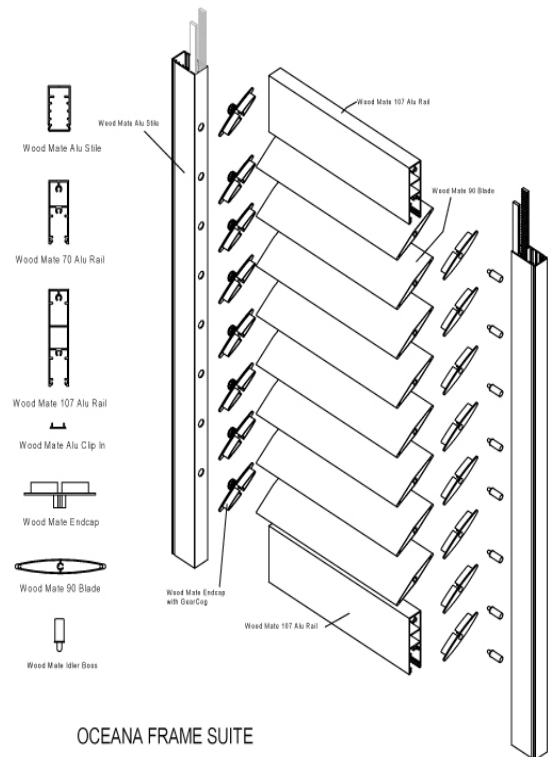
The 50mm frame profile is minimal yet far more robust than a wood shutter due to its 28mm thick stile and generally does not require a mid rail.

There is a size choice of 2 Oceana rails to suit individual design. This suite accommodates blade profiles 45,65,70,90,115,146 and 150mm in any of our glass, Aluminium or Polywood material combinations.

The Oceana is a popular frame selection for interior shutters as well as external applications.

The frame discreetly houses our (optional) exclusive micro motor drive system as a self contained automated operable shutter, another world first innovation.

Painted in silky satin or high gloss powder coat finishes or our standard 25 micro marine grade Anodised finish, the Oceana suite is as diverse in colour palette as it is in design application.

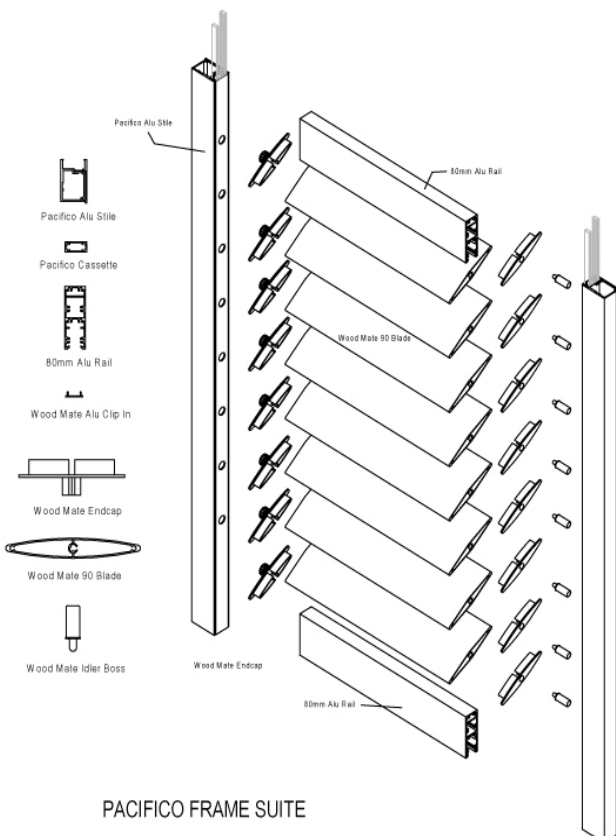


OCEANA FRAME SUITE

Pacifico Suite

Pacifico is the paragon Aluminium Plantation Shutter that looks like but is far superior to timber shutters. This frame stile measures 53mm in width. It is a highly (some say over) engineered frame. We agree. The suite has the capability of withstanding human impact and cyclonic wind conditions when our internal ShutterGard stainless steel tensioned wire system is incorporated. Its diversity lies in its chameleon like ability to suit many applications of aesthetic, engineering, or compliance needs. Pacifico portrays traditional Plantation Shutter as a better alternative than painted wood.

Our motorized remote system of operating the blades is snugly housed within the stile and rails. Whether you choose cutting edge technology or our manual operation, you will be pleased with the reliability of the blade operation and its durability. Pacifico is well suited indoors especially in very large openings or where security is uppermost in your mind. Patios requiring wind breaks, privacy screens, balustrades and cabanas are all enhanced by the inclusion of a high performing Plantation Shutter.



PACIFICO FRAME SUITE

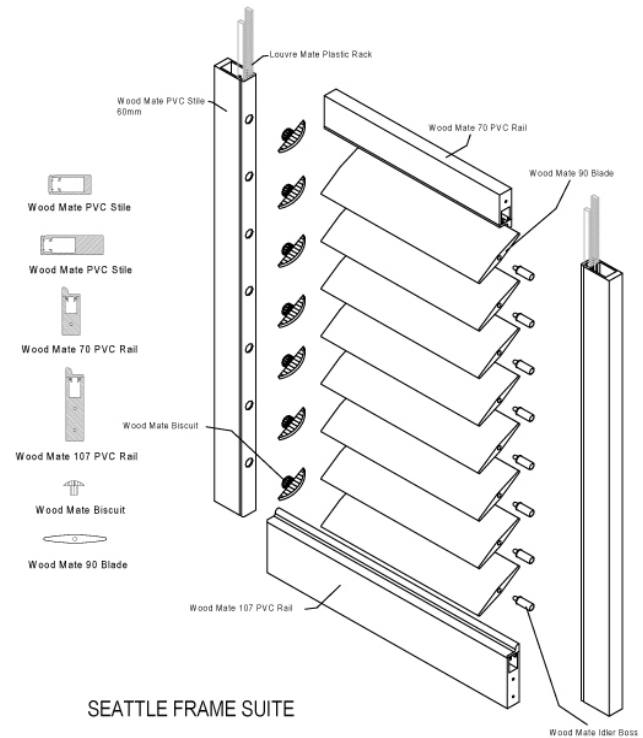
Seattle Suite

Shutter Motion

The Art Of Shutters

Influenced by the traditional lines and fine distinction of a timeless Cedar Shutter, we have recreated that classic look and feel of wood with the innovation of engineered wood composite. The Seattle suite is substantially constructed to perform beyond the expectations of a timber shutter by incorporating Aluminium reinforcement in all profiles.

The finish isn't just skin deep either. Our profiles are solid wood grain. This versatile frame suite is available in our palette of standard and custom satin or gloss acrylic paint finishes, or select from the custom coloured stains on offer to individualize your decor. Seattle is suited to interior applications and exterior installations of medium SHGC values. Choose Seattle as the frame of choice wherever a soft window appeal is desired or for medium traffic areas. It is far superior to and will outlast MDF and Vinyl Shutters in such installations as bathrooms, cabanas and family rooms etc.



SEATTLE FRAME SUITE

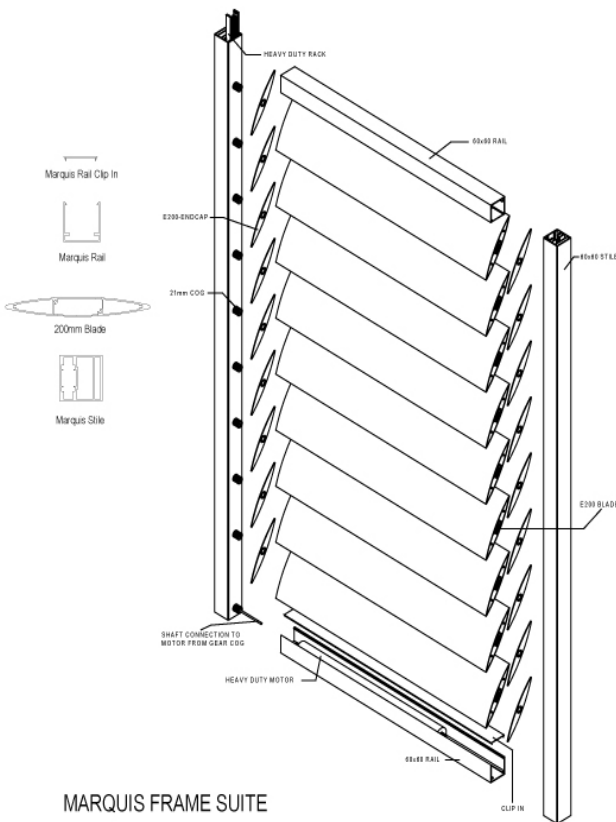
Marquis Suite

Robustly engineered, The Marquis is our definitive answer to the design challenges of facade and overhead operable solar screening. This all Aluminium heavy duty framing system incorporates a maxi version of our integrated patented LoverMover blade actuation.

The frame may be oriented horizontally or vertically on either plane axis. This versatility allows designers to create operable flat roofing enclosures, wall treatments to oversized facades, sliding operable wall systems as well as vertical glazing screening.

Our SM-HD AC motorized remote drives with manual over-ride are affordable and reliable and in many cases of restricted access are necessary luxuries.

We provide a range of blades appropriate to the scale of the design scope. Elliptical blade profiles available are 150, 200, 300, 450mm and others. Wall support brackets, slider systems, and other fixing solutions are available ex stock or custom made. In keeping with our high standards we produce the Marquis system in either 25 or 40 micron Natural Anodize, 7 year, and 15 year paints.



MARQUIS FRAME SUITE